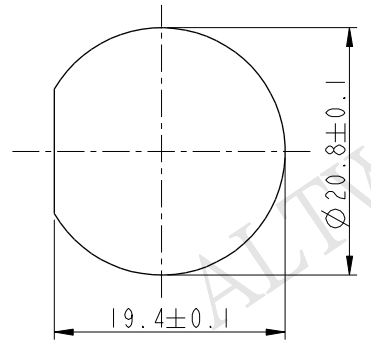
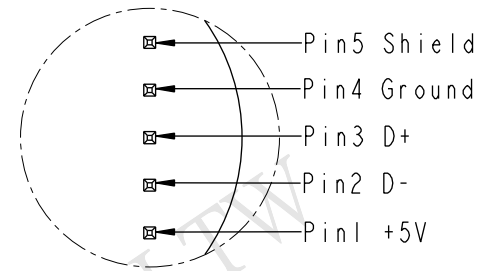
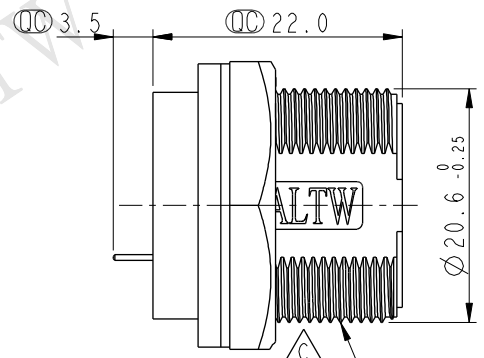
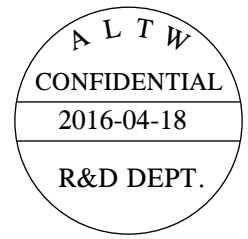


THIS DOCUMENT IS SUBJECT TO CHANGE WITHOUT NOTICE. IT IS CONFIDENTIAL AND A PROPERTY OF Amphenol LTW. DISCLOSURE TO THIRD PARTY HAS TO BE AUTHORIZED BY Amphenol LTW.

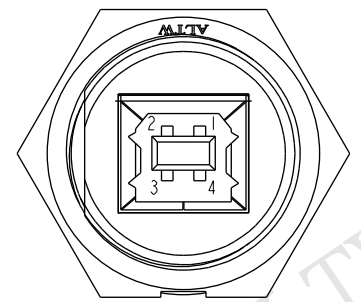
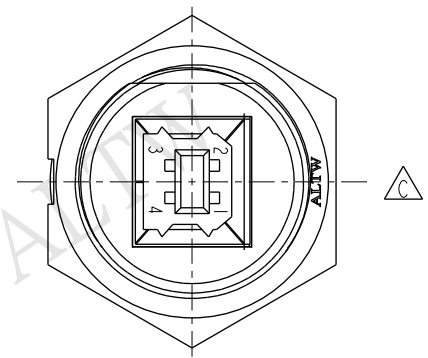
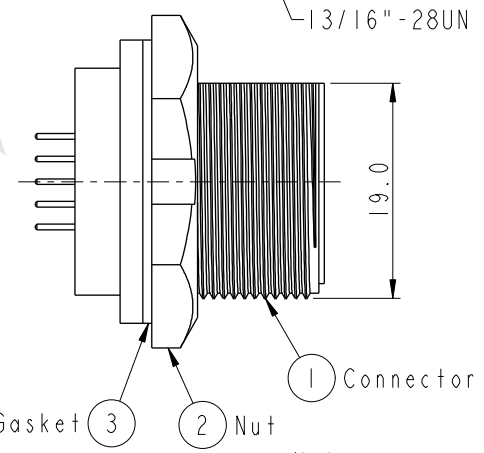
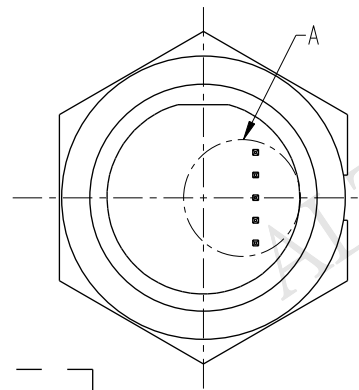
REV.	ECN NO.	DATE	SIGN	DESCRIPTION
B	LEN-7B0141	2007/11/15	Gao Ling	Modify Panel Thickness
C	LEN1640314	2016/04/18	Vicky	Update Logo



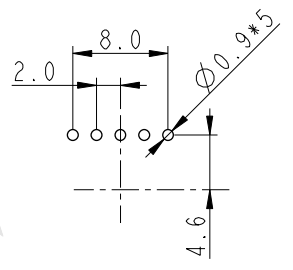
Recommended Panel Cut-Out



DETAIL A  
SCALE 2:1



Pin Assignments  
Front View



PCB Layout



Note:

- \*  $\text{CC}$  Important Dimensions
- \* Waterproof Rate: IP68  
In 1 meter water within 24 hours
- \* USB B: Female PCB Type, Gold Plated
- $\triangle B$  \* Use with waterproof cap or dust cap  
For Panel Thickness Max: 2.8mm
- $\triangle B$  \* Use without waterproof cap or dust cap  
For Panel Thickness Max: 4.0mm

UNIT:mm		
TOLERANCE	.X ±0.25	
	.XX ±0.1	
	.XXX ±0.05	
ANGLES	±1°	

TITLE USB B Type Male Connector For Panel Mount(Circular)			
SCALE 3:2	SIZE A4	SHEET 1 OF 1	
REV. C	WC-REV. A.3	$\text{CC}$ : Inspection item	

**Amphenol LTW**  
安費諾亮泰企業股份有限公司

ITEM NO. UB-20PMFP-SC8001	DRAWN BY Vicky	DATE 2016-04-18
DWG NO. UB-20PMFP-SC8001	CHECKED BY Rita	DATE 2016-04-18
CUSTOMER ALTW	APPROVED BY Lisa	DATE 2016-04-18